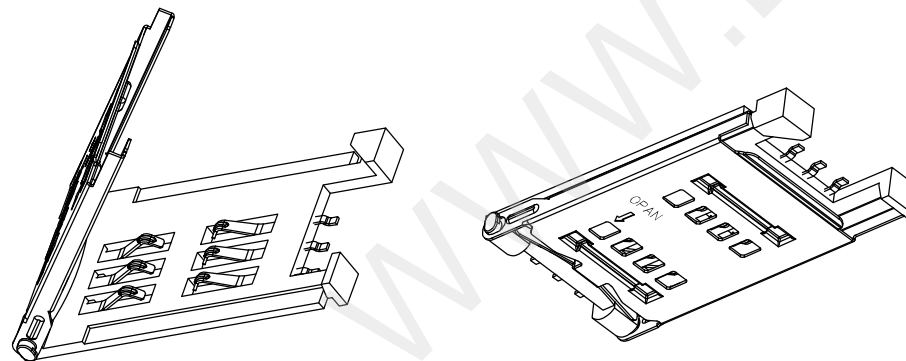


PCB LAYOUT RECOMMENDED



SIM Card Connector, With Cover, Type 1,8 Pin

Physical:

Housing: LCP UL 94V-0

Contact: Selective Gold Flash

Specifications:

Contact Withstanding Voltage:
AC 500V For 1 Minute



深圳市华宇创精密电子有限公司

TOLERANCE: X.X ±0.30 X.XX ±0.25 X.XXX ±0.15 X.' ±2' X.X' ±0.5'	DRAWN BY : 陈一鸣	DATE : 2014-02-23	PART NAME: SIM 6P 带铁壳翻盖 无柱
	CHECKED BY: 马跃	DATE : 2014-02-23	PART NO. HYC178-SIM06-290
UNIT: mm [inch] SCALE:1:1 SIZE: A4	APPROVED BY: 邱敏	DATE : 2014-02-23	MOLD NO.
			DRAW NO: HYC-SIM17082114
			SHEET NO. 1 OF 1